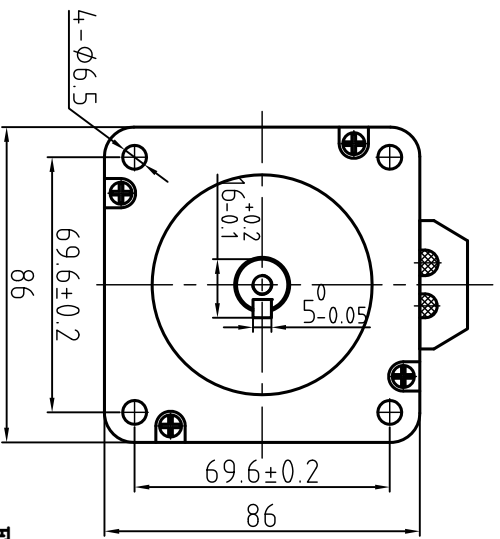
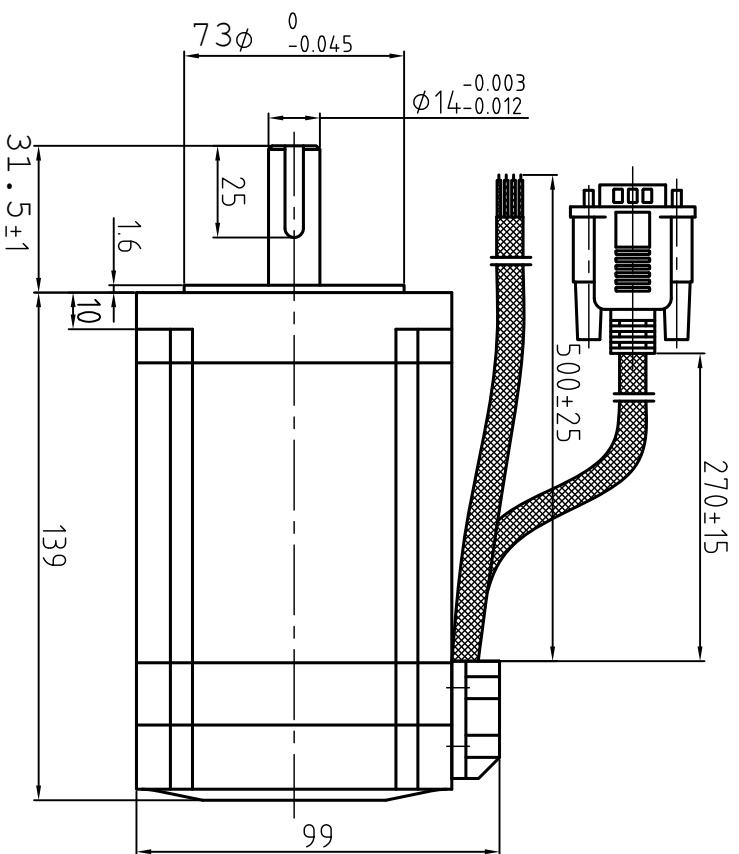
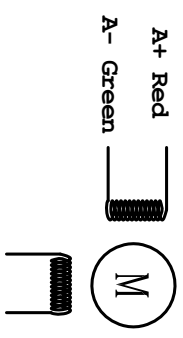


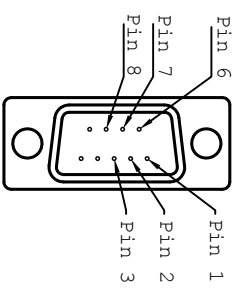
Dimension Unit: mm



Motor Connection - wire colors



DB9 connector



Encoder connector - signals

PIN	1	2	3	6	7	8
Color	Black	Red	White	Yellow	Green	Blue
SIG	A+	VCC	GND	B+	B-	A-

Common Ratings

Step angle	18°
Position accuracy	18±0.09°
Dielectric strength	1000VAC 1min
Insulation resistance	100MΩhm(500VDC)
Insulation class	B
Temp rise(Max)	80K
Radial play	Max:0.02mm(Load 450g)
Axial play	Max:0.08mm(Load 900g)

Specification

Current/phase	6.0 A
Voltage	3.2 V
DC Resistance/phase	±10% 0.55 Ω
Inductance/phase	±20% 4.2 mH
Holding torque	8 N·M
Inertia	2.8 kg·cm ²
Weight	4 kg
Encoder Resolution	1000 cpr

Motor model: 86HSE8N-B32



VALLDER
www.vallder.com